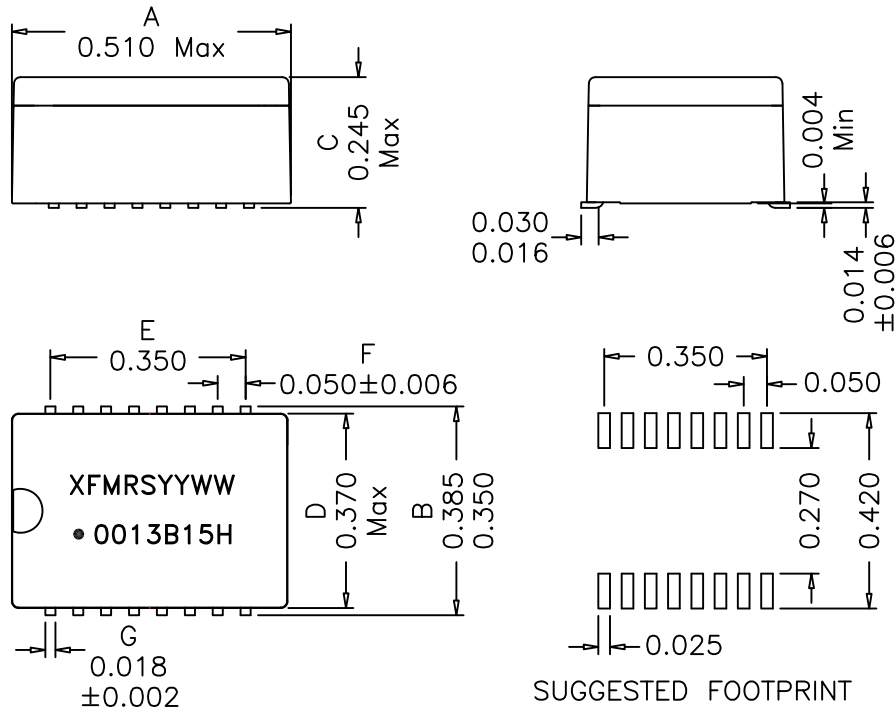
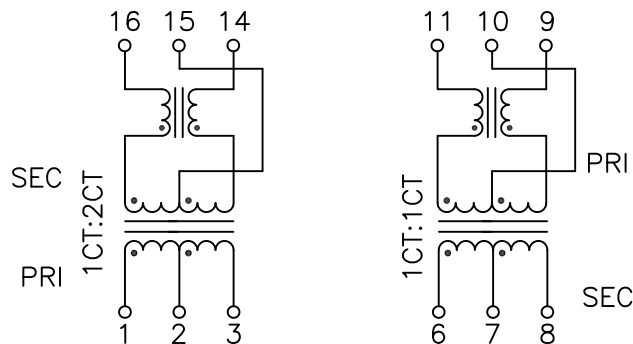


1. Mechanical Dimensions:



2. Schematic:



3. Electrical Specifications: @25°C

Pri OCL: 1.2mH Min @100KHz 50mV
0.6mH Min @100KHz 50mV (-40C to +85°C)

Q: 8 Min @10KHz 50mV

Cw/w: 30pF Max @100KHz 50mV (Pri/Sec)

Pri LL: 0.6uH Max @100KHz 50mV (short Sec)

DC Res: Pins 1-3, 6-8 0.70 Ohms Max
Pins 16-14, 11-9 1.15 Ohms Max

Turns Ratio: Pins (16-15-14):(1-2-3)=2CT:1CT ± 2%
Pins (6-7-8):(11-10-9)=1CT:1CT ± 2%

Isolation Voltage: 1500Vac, 60 Seconds

Notes:

- Solderability: Leads shall meet MIL-STD-202G, Method 208H for solderability.
- Flammability: UL94V-0
- ASTM oxygen index: > 28%
- Insulation System: Class F 155°C. UL file E151556
- All listed parameters are to be within tolerance from -40C to +85C unless otherwise noted.
- Storage Temperature Range: -55°C to +125°C
- Aqueous wash compatible
- SMD Lead Coplanarity: ±0.004"(0.102mm)
- Electrical and mechanical specifications 100% tested
- RoHS Compliant Component
- Recommended IR Reflow peak temp of 245°C Max.

DOC. REV: B/2

XFMRs Inc www.XFMRS.com	Title: T1/CEPT/DS3 Surface Mount Transformers		
	P/N: XF0013B15H	REV. B	
UNLESS OTHERWISE SPECIFIED TOLERANCES: .xxx ±0.010 Dimensions in Inch	DWN.	Yuan	Mar-30-15
SHEET 1 OF 1	CHK.	YK Liao	Mar-30-15
	APP.	BSJ	Mar-30-15