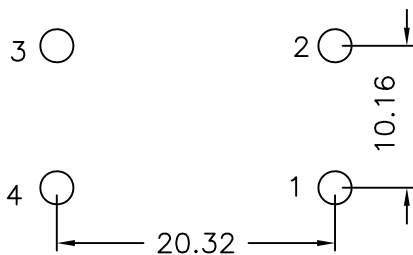
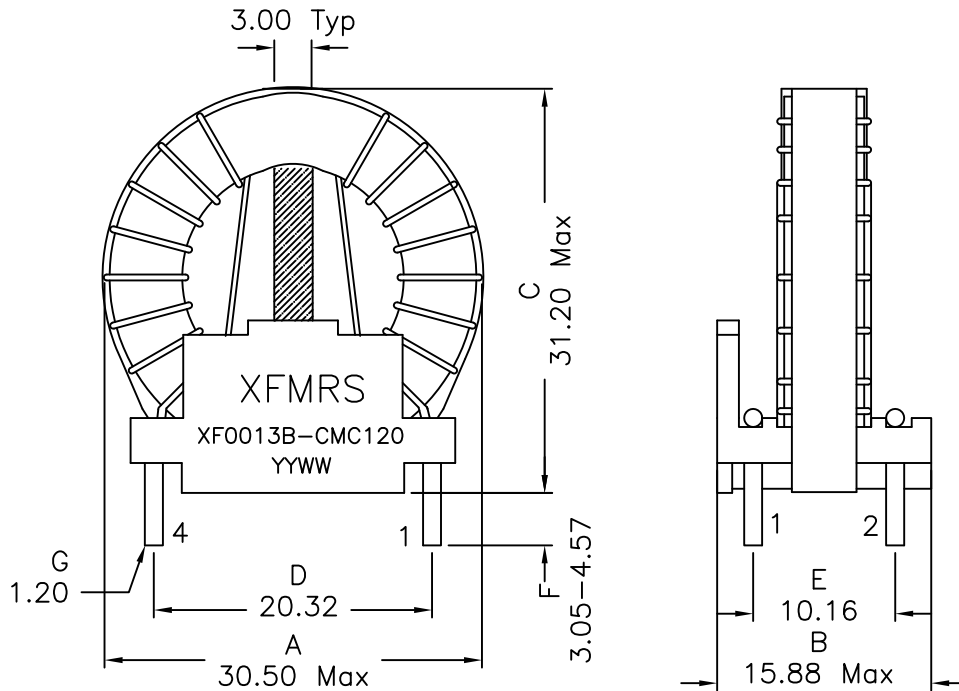
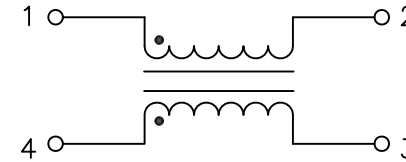


## 1. Mechanical Dimensions:



(SUGGESTED FOOTPRINT)

## 2. Schematic:



## 3. Electrical Specifications: @25°C

OCL: 1.0mH Min. @15.75KHz 0.1V, Each Wdg

tbd mH Min @15.75KHz 0.1V -40°C

Q: tbd Min. @15.75KHz 0.1V

LL: 4.5uH Typ. @100KHz, 0.1V

Current Rating: 10.0 A

DCR: 0.010 Ohms Max, Each Wdg

ISOLATION: 1500Vrms

### Notes:

1. Solderability: Leads shall meet MIL-STD-202G, Method 208H for solderability.
2. Flammability: UL94V-0
3. ASTM oxygen index: > 28%
4. Insulation System: Class F 155°C. UL file E151556
5. All listed parameters are to be within tolerance unless otherwise from -40°C to +105°C
6. Storage Temperature Range: -55°C to +125°C
7. Aqueous wash compatible
8. Electrical and mechanical specifications 100% tested
9. RoHS Compliant Component
10. Self Ledged

DOC REV: A/-

<b>XFMRs Inc</b> www.XFMRs.com		Title: <b>Common Mode Choke</b>	
UNLESS OTHERWISE SPECIFIED	P/N: XFO013B-CMC120	REV. A	
TOLERANCES: .xx ±0.20	DWN.	Xianyi	Mar-12-14
Dimensions in mm	CHK.	YK Liao	Mar-12-14
SHEET 1 OF 1	APP.	BSJ	Mar-12-14

**PROPRIETARY** Document is the property of XFMRs Group & is not allowed to be duplicated without authorization.