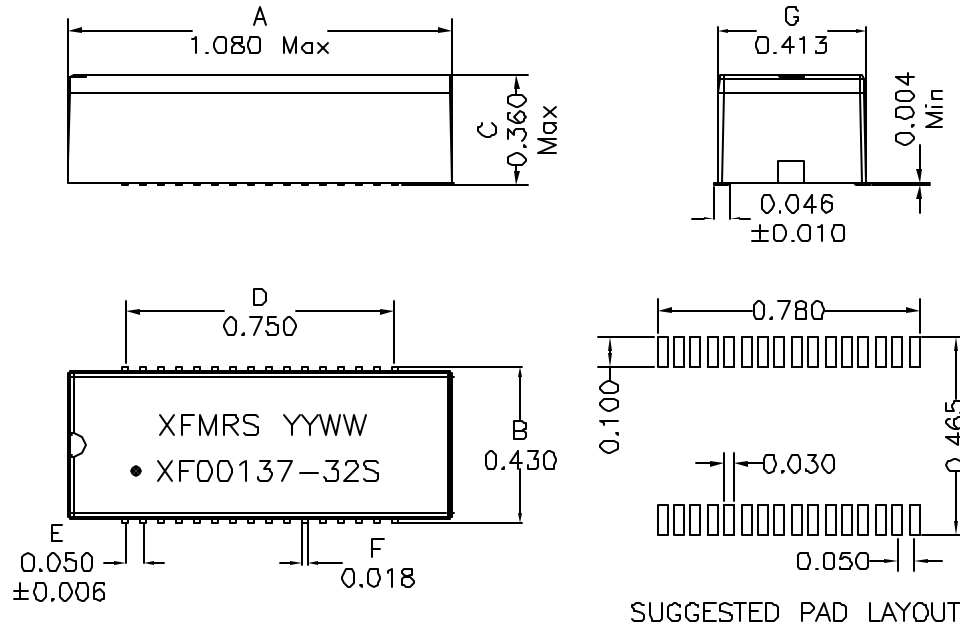
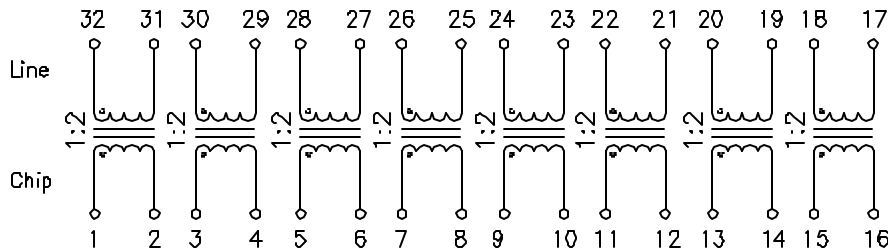


1. Mechanical Dimensions:



2. Schematic:



DOC. REV: B/2

3. Electrical Specifications: @25°C

- Isolation: 1500Vrms (PRI to SEC)
- TX & RCV Turns Ratio: 1:2 (Chip:Line)
- CHIP OCL: 1.50mH Typ @10KHz 50mV
- Cw/w: 35pF Max @10KHz 50mV (Chip/Line)
- CHIP LL: 0.3uH Max @1MHz 50mV, Short Line
- CHIP DCR: 0.6 Ohms Max
- LINE DCR: 1.2 Ohms Max
- RETURN LOSS: 24dB Typ @102KHz, 100 Ohms
- RETURN LOSS: 29dB Typ @102KHz, 120 Ohms
- CHIP Q: 5 Min @10KHz 50mV

Notes:

1. Solderability: Leads shall meet MIL-STD-202G, Method 208H for solderability.
2. Flammability: UL94V-0
3. ASTM oxygen index: > 28%
4. Insulation System: Class F 155°C, UL file E151556
5. Operating Temperature Range: All listed parameters are to be within tolerance from -40°C to +85°C
6. Storage Temperature Range: -55°C to +125°C
7. Aqueous wash compatible
8. SMD Lead Coplanarity: ±0.004" (0.102mm)
9. Electrical and mechanical specifications 100% tested
10. RoHS Compliant Component
11. Includes bottom lid.

XFMRs Inc www.XFMRs.com	Title: T1/E1/CEPT QUAD PORT		
	UNLESS OTHERWISE SPECIFIED TOLERANCES: .xxx ±0.010 Dimensions in INCH	P/N: XF00137-32S	REV. B
	DWN.	Feng	Nov-09-11
	CHK.	YK Liao	Nov-09-11
SHEET 1 OF 1	APP.	Joe Huff	Nov-09-11