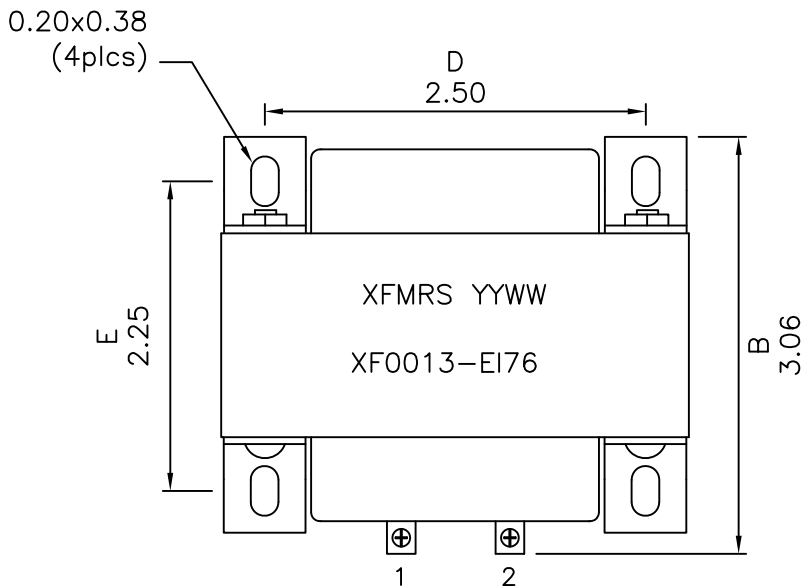
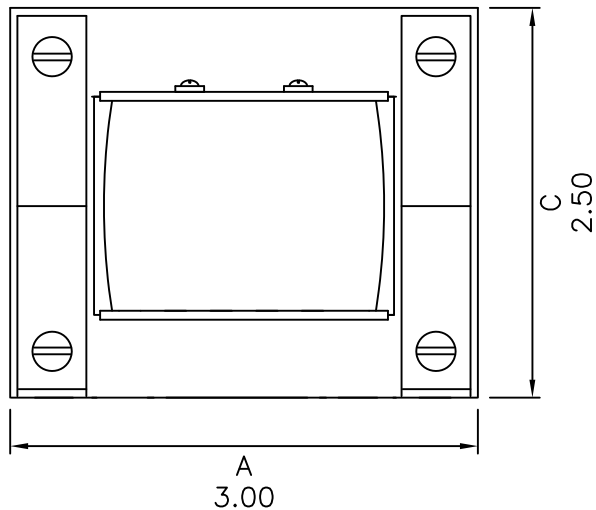
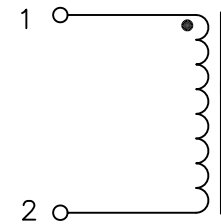


### 1. Mechanical Dimensions:



### 2. Schematic:



### 3. Electrical Specifications:

OCL: 1.0mH±15% @50/60Hz, 20Adc  
 DC Current: 20Adc  
 DCR: 0.013 Ohms  
 Hipot: 2500Vac; wdg to core

#### Notes:

- Solderability: Leads shall meet MIL-STD-202G, Method 208H for solderability.
- Flammability: UL94V-0
- ASTM oxygen index: > 28%
- Insulation System: Class A 130°C.
- Operating Temperature Range: All listed parameters are to be within tolerance from -40°C to +85°C
- Storage Temperature Range: -55°C to +125°C
- Aqueous wash compatible
- Electrical and mechanical specifications 100% tested
- RoHS Compliant Component

**PRELIMINARY**

DOC. REV: A/-

<b>XFMR5 Inc</b> www.XFMR5.com		Title: Chassis Mount Inductor	
UNLESS OTHERWISE SPECIFIED TOLERANCES: ±0.10 Dimensions in Inch	P/N: XF0013-EI76	REV. A	
	DWN.	Juan Mao	Jun-27-16
	CHK.	YK liao	Jun-27-16
SHEET 1 OF 1	APP.	DDC	Jun-27-16

**PROPRIETARY**

Document is the property of XFMR5 Group & is not allowed to be duplicated without authorization.