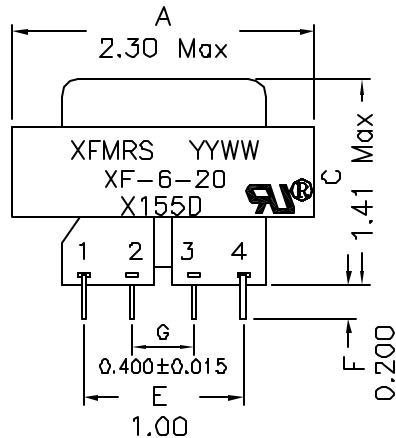
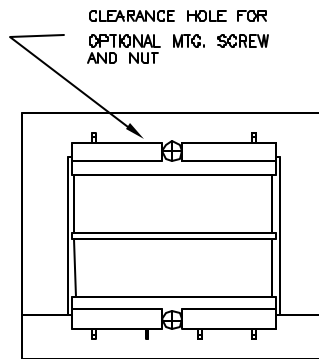


## 1. Mechanical Dimensions:



NOTE: PINS 2&3 OMITTED ON SINGLE PRIMARY VERSIONS

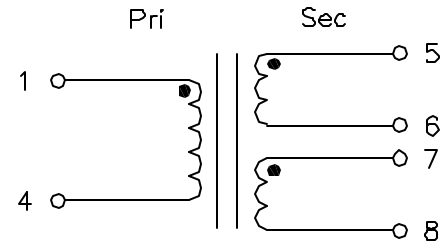


BOTTOM VIEW

### Notes:

1. Solderability: Leads shall meet MIL-STD-202, Method 208D for solderability.
2. Flammability: UL94V-0
3. ASTM oxygen index: > 28%
4. Insulation System: Class F 155°C. UL file E151556
5. Operating Temperature Range: All listed parameters are to be within tolerance from -40°C to +85°C
6. Storage Temperature Range: -55°C to +125°C
7. Aqueous wash compatible
8. SMD Lead Coplanarity:  $\pm 0.004^{\circ}$  (0.102mm)
9. Moisture Sensitivity: Level 2
10. Electrical and mechanical specifications 100% tested
11. RoHS Compliant Component

## 2. Schematic:



## 3. Electrical Specifications:

Primary: Pins 1-4 115/230V 50/60Hz

Ex I: Pins 1-4 100.0mA Max 120V 60Hz or 100V 50Hz

Parallel Sec: 10.0V @ 2.0Aac

Series Sec: 20.0V @ 1.0Aac

DC Res.: Pins 1-4 33.5 Ohms $\pm$ 15%

DC Res.: Pins 5-6 0.950 Ohms Max

DC Res.: Pins 7-8 0.950 Ohms Max

HIPOT: 2500Vac Pri-Sec, Wdgs-Core

DOC. REV A/3

<b>XFMRS Inc</b> www.XFMRS.com		Title: <b>Power Xfmr</b>	
UNLESS OTHERWISE SPECIFIED TOLERANCES: .xxx $\pm$ 0.010 Dimensions in INCH		P/N: XF-6-20	REV. A
		DWN. 罗振江	Oct-25-04
Scale 1.5:1 SHT 1 OF 1		CHK. 廖玉坤	Oct-25-04
		APP. J Ng	Oct-25-04