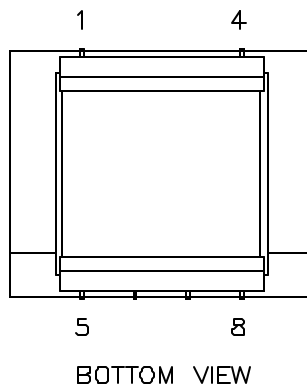
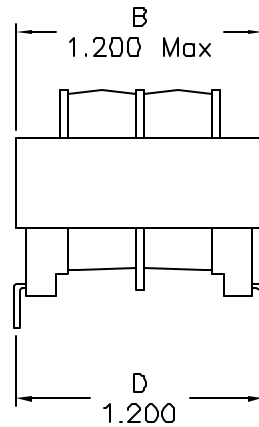
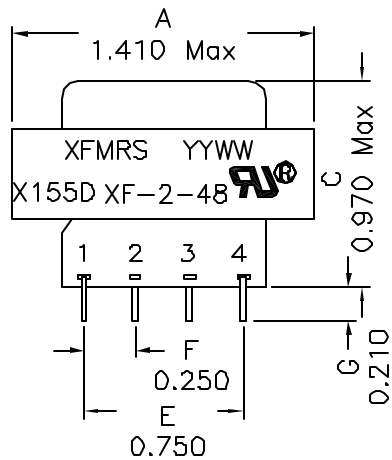
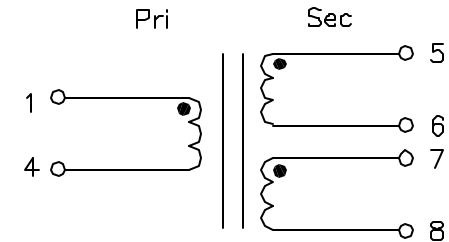


## 1. Mechanical Dimensions:



## 2. Schematic:



## 3. Electrical Specifications:

Primary: Pins 1-4 115V 50/60Hz

Ex I: Pins 1-4 20mA Max @120V 60Hz or 100V 50Hz

Sec1: 24.0V @ 0.023Aac

Sec2: 24.0V @ 0.023Aac

DC Res.: Pins 1-4 900 Ohms Max

DC Res.: Pins 5-6 130 Ohms Max

DC Res.: Pins 7-8 130 Ohms Max

HIPOT: 2500Vac Pri-Sec, Wdgs-Core

### Notes:

1. Solderability: Leads shall meet MIL-STD-202G, Method 208H for solderability.
2. Flammability: UL94V-0
3. ASTM oxygen index: > 28%
4. Insulation System: Class F 155°C. UL file E151556
5. Operating Temperature Range: All listed parameters are to be within tolerance from -40°C to +85°C
6. Storage Temperature Range: -55°C to +125°C
7. Aqueous wash compatible
8. Electrical and mechanical specifications 100% tested
9. RoHS Compliant Component
10. UL506 Recognized, file #E238841

<b>XFMRs Inc</b> www.XFMRs.com	Title: Power Xfmr		
	UNLESS OTHERWISE SPECIFIED TOLERANCES: .xxx±0.010 Dimensions in INCH	P/N: XF-2-48	REV. A
Scale 1.5:1 SHT 1 OF 1	DWN.	Juan Mao	Apr-26-06
	CHK.	YK Liao	Apr-26-06
	APP.	BW	Apr-26-06

DOC. REV A/1

**PROPRIETARY** Document is the property of XFMRs Group & is not allowed to be duplicated without authorization.