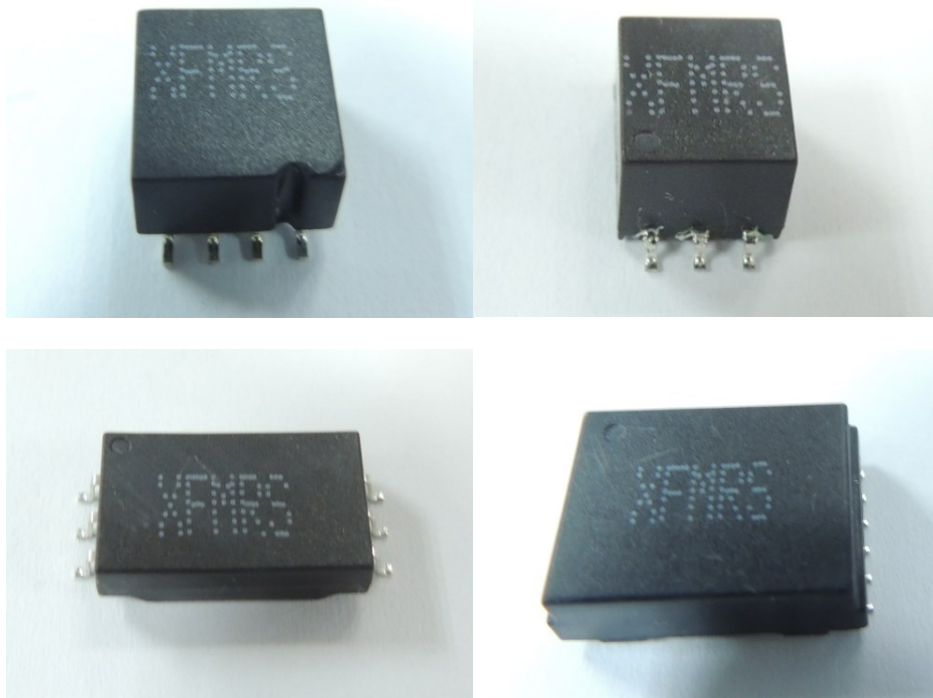


# BMS Magnetics

AEC  
Q200

RoHS  
✓

Transformers for Automotive and Energy  
System Communication



- AEC-Q200 Certified
- Multiple high-isolation options for various working voltages
- RoHS Compliant Component
- Tape and reel packaging standard
- Custom variations available on request
- Applications: Electric Vehicles, Medical, Smart Energy Systems

# XFMRS

[www.xfmrs.com](http://www.xfmrs.com)

7570 E. Landersdale Rd.  
Camby, IN 46113  
(317) 834-1066  
[info@xfmrs.com](mailto:info@xfmrs.com)

152-160 Tai Lin Pai Rd.  
Kwai Chung, NT, Hong Kong  
(852) 2423-1689  
[pyiu@xfmrs.com.hk](mailto:pyiu@xfmrs.com.hk)

# Electrical Characteristics:

Part Number	Isolation (Vac)	(note12) CR/CL (mm)	T/R	Number of Channels	CMC Y/N	Package	Schematic
XFBMC25-SR-A	2500	3/2.5	1CT:1CT	1	Y	A	A
XFBMC25NC-2SR-A	2500	3.5/3	1CT:1CT	1	N	B	B
XFBMC29-BA09-E	2900	4/3.5	1CT:1CT	1	Y	C	C
XFBMC29A-BA09-A	2900	4/3.5	1CT:2CT	1	Y	C	H
XFBMC29B-BA09-A	2900	4/3.5	1:1	1	N	C	I
XFBMC29D-BA09-A	2900	27/12	1CT:1CT	2	Y	D	D
XFBMC29-DIP027-B	2900	12/10	1CT:1CT	1	Y	E	E
XFBMC29DNC-BA09-A	2900	27/12	1CT:1CT	2	N	D	F
XFBMC29F-BA09-A	2900	5.5/5.5	1CT:1CT	1	Y	H	C
XFBMC29NC-BA09-A	2900	4/3.5	1CT:1CT	1	N	F	B
XFBMC29R-BA09-A	7000 Vdc	15/14	1CT:1CT	1	Y	I	J
XFBMC45-01S-A	4500	12/12	1CT:1CT	1	Y	G	E
XFBMC45NC-01S-A	4500	12/12	1CT:1CT	1	N	G	G
XFBMC60-01S-A	6000	12/12	1CT:1CT	1	Y	G	E
XFBMC60MC-01S-A	6000	12/12	1CT:1CT	1	N	G	G
XFBMC76NC-01S-A	7640	15/15	2CT:1CT	1	N	J	K

## Notes:

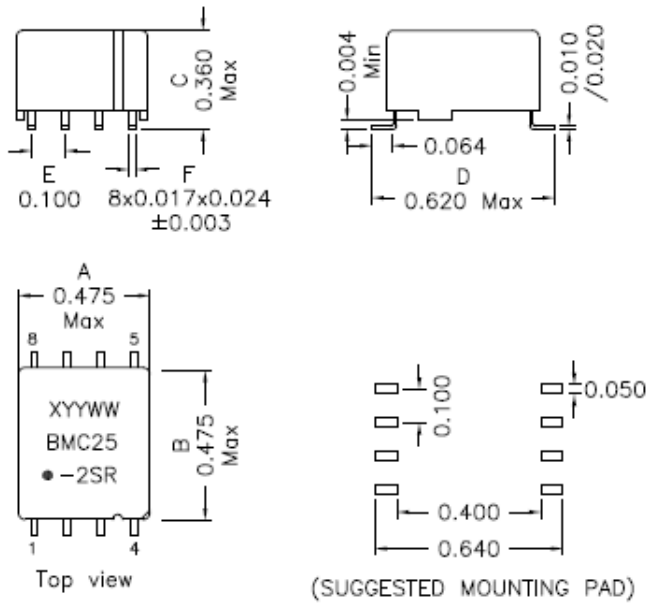
- Solderability: Leads shall meet MIL-STD-202G, Method 208H for solderability
- Flammability: UL94V-0
- ASTM oxygen index: > 28%
- Insulation System: Class F 155°C. UL file E151556
- All listed parameters are to be within tolerance from -40°C to +85°C unless otherwise noted
- Storage Temperature Range: -55°C to +125°C
- Aqueous wash compatible
- SMD Lead Coplanarity: ±0.004" (0.102mm)
- Electrical and mechanical specifications 100% tested
- RoHS Compliant Component
- Recommended IR Reflow peak temp of 245°C Max
- Creepage and Clearance is based on minimum

**XFMRs**

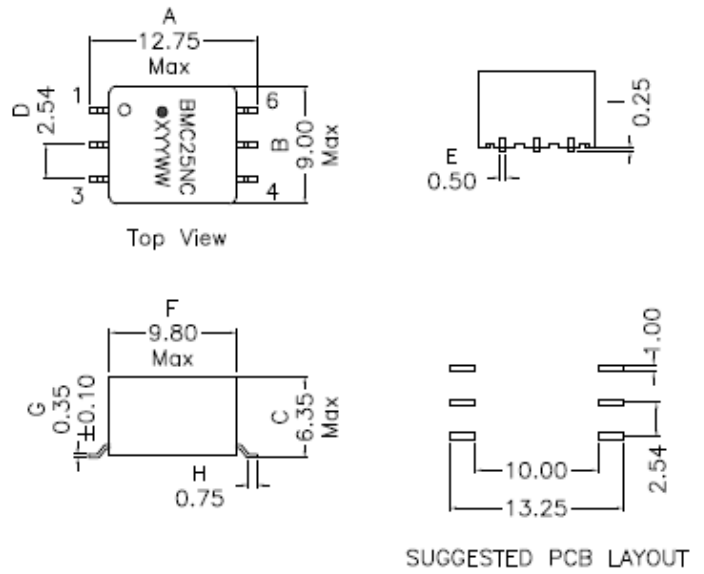
www.xfmrs.com

# Mechanical Dimensions:

## Package A

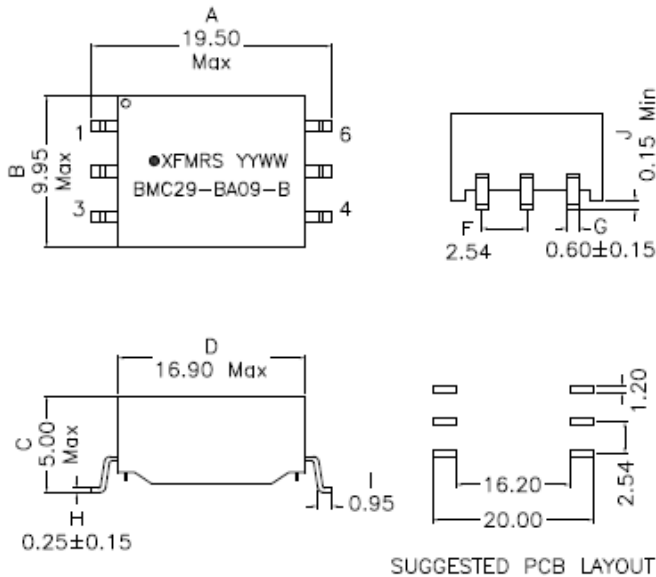


## Package B



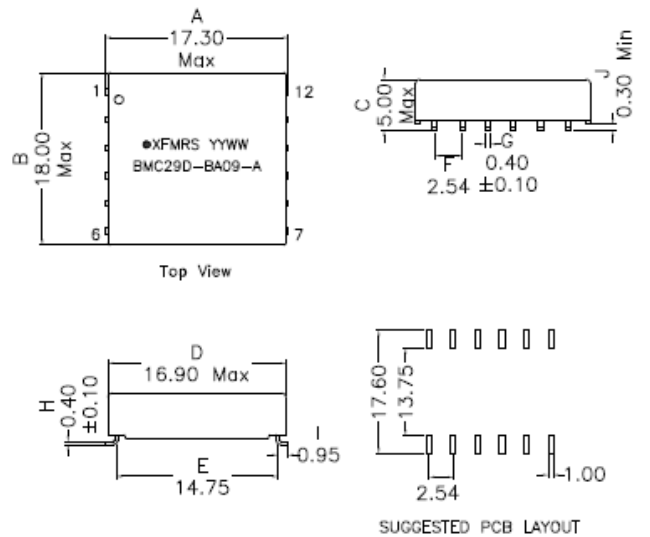
.xx ±0.25  
Dimensions in MM

## Package C



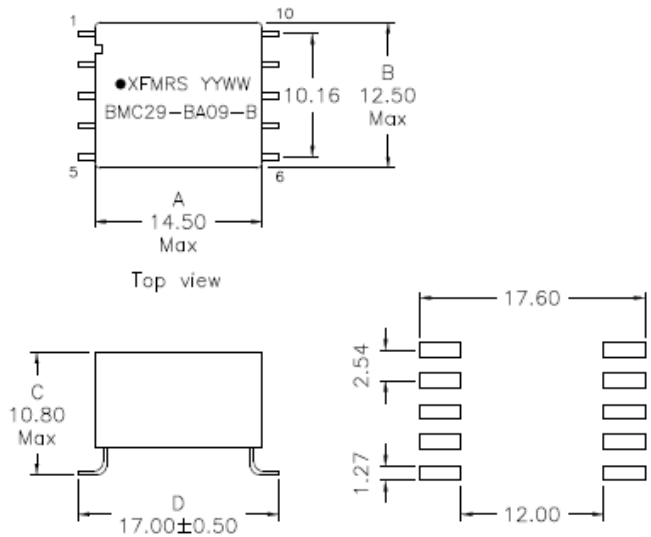
.xx ±0.25  
Dimensions in MM

## Package D



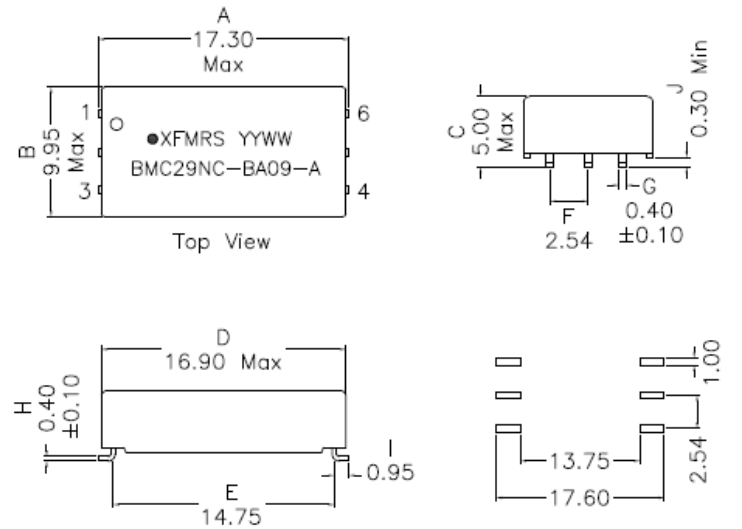
.xx ±0.25  
Dimensions in MM

## Package E



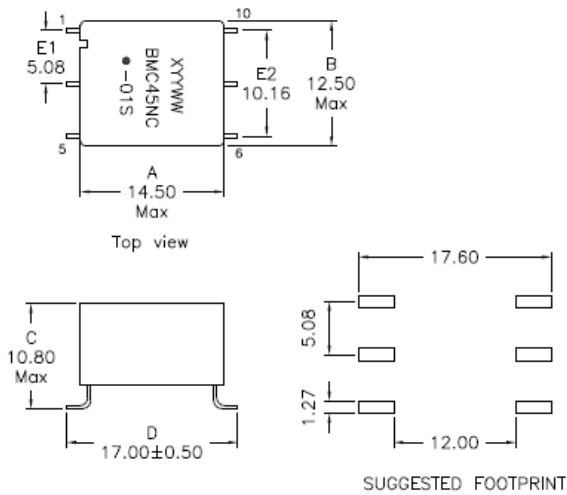
SUGGESTED FOOTPRINT  
 .xx ±0.25  
 Dimensions in MM

## Package F



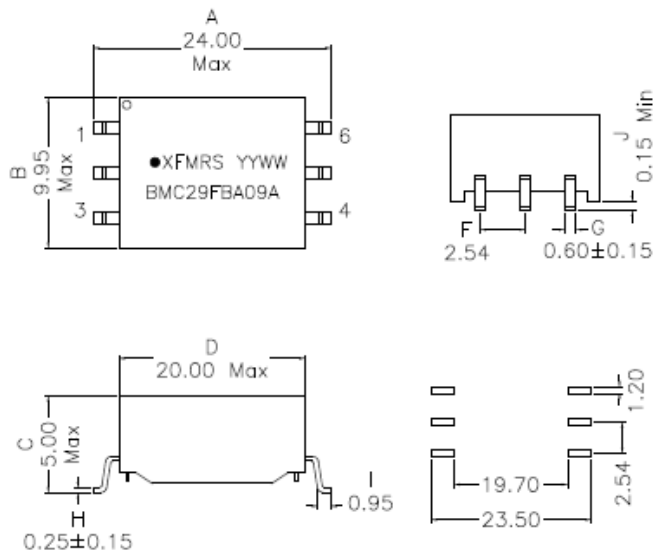
SUGGESTED PCB LAYOUT  
 .xx ±0.25  
 Dimensions in MM

## Package G



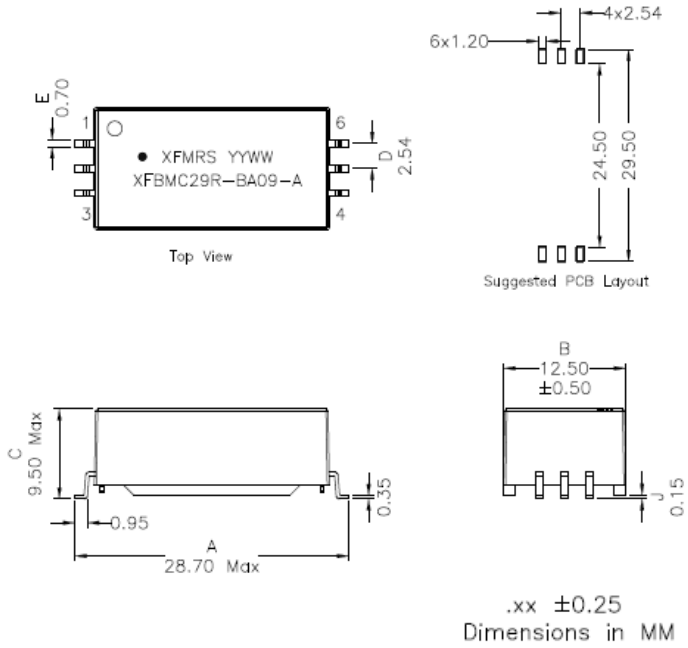
.xx ±0.25  
 Dimensions in MM

## Package H

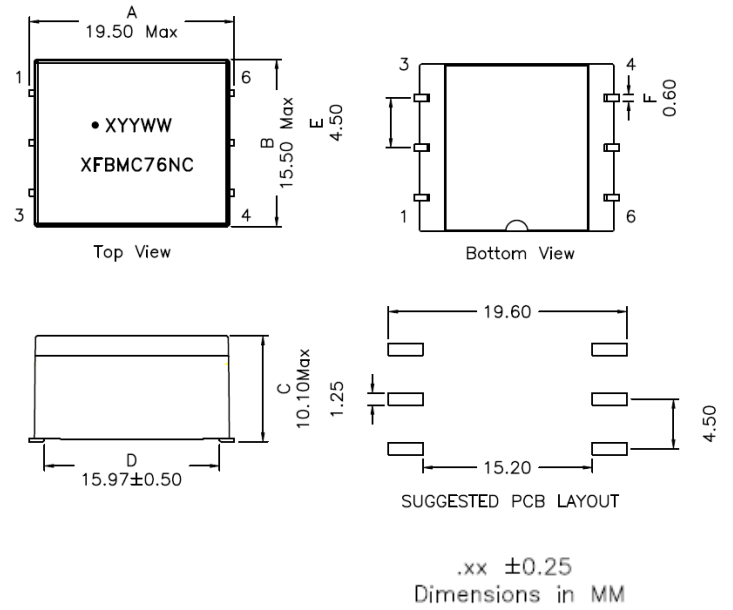


SUGGESTED PCB LAYOUT  
 .xx ±0.25  
 Dimensions in MM

## Package I



## Package J

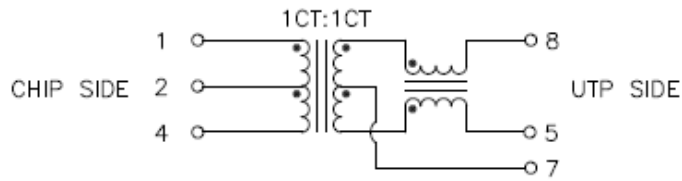


**XFMRS**

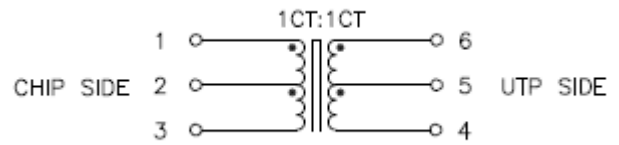
www.xfmrs.com

# Schematics:

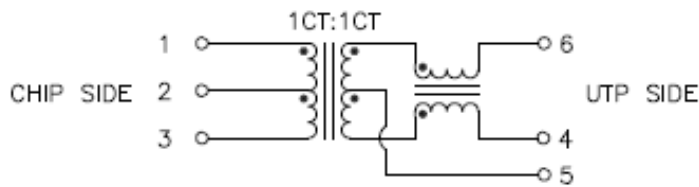
## Schematic A



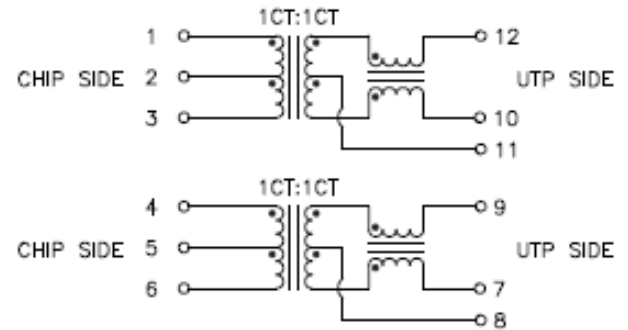
## Schematic B



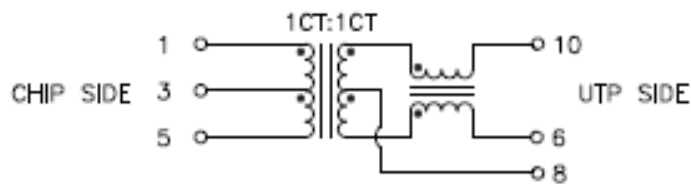
## Schematic C



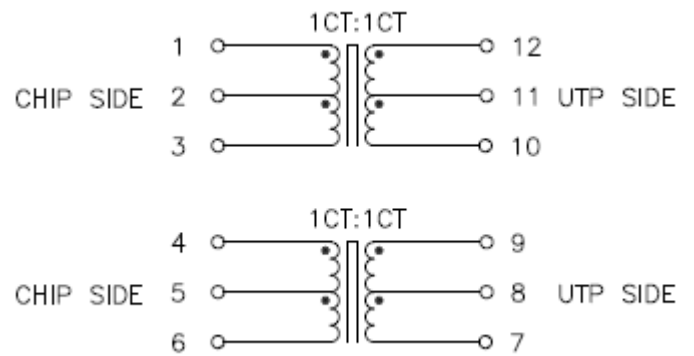
## Schematic D



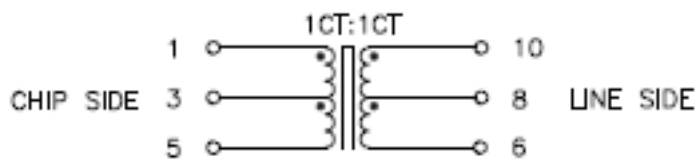
## Schematic E



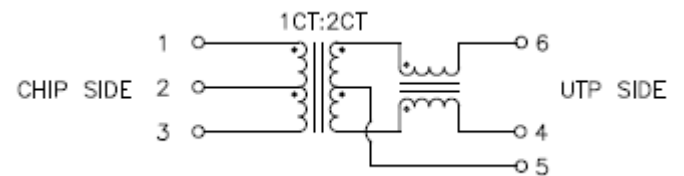
## Schematic F



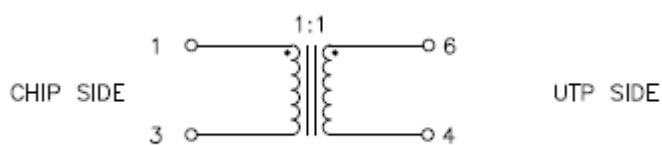
## Schematic G



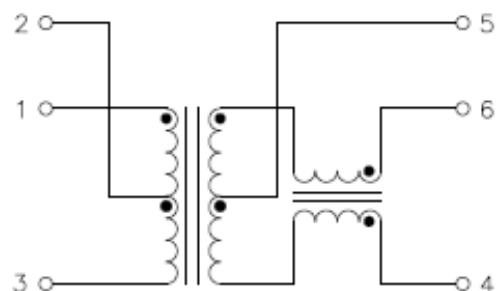
## Schematic H



## Schematic I

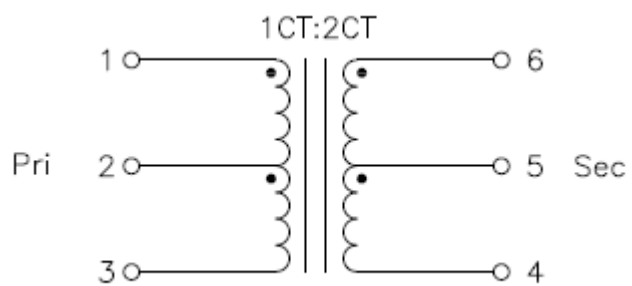


## Schematic J



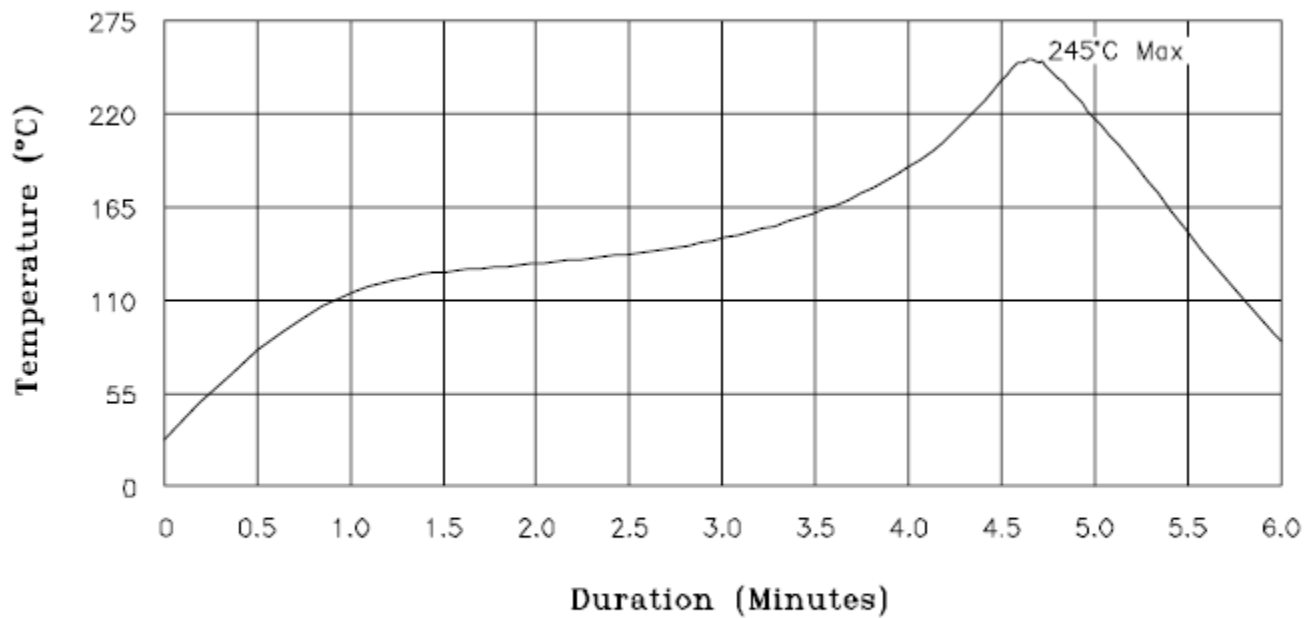
# Schematics:

## Schematic K



# IR Reflow Profile:

## Recommended Infrared Reflow Temperature Profile for RoHS Compliant Parts



NOTES: Maximum duration at  $245^{\circ}+0/-5^{\circ}$  shall be 10–15 seconds.

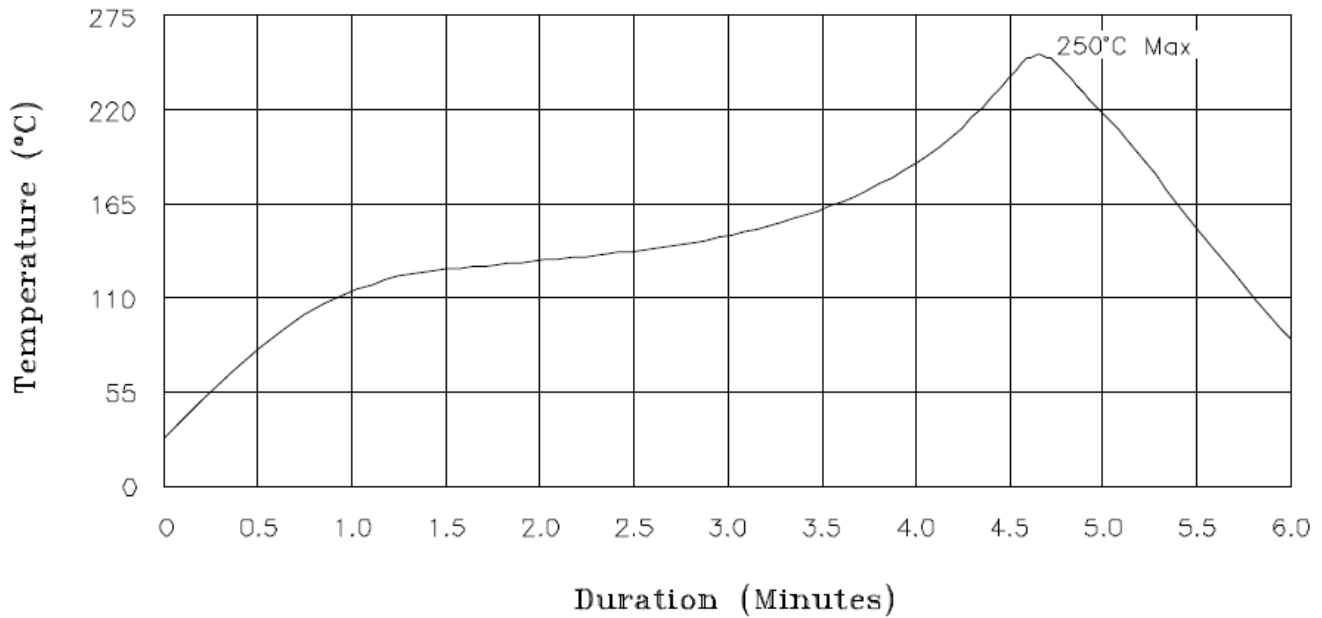
Maximum duration above  $217^{\circ}$  shall be 50–120 seconds.

ALL Temperatures refer to topside of the package, measured on the package body surface.



# IR Reflow Profile:

Recommended Infrared Reflow Temperature Profile for Select Parts



NOTES: Maximum duration at  $250^{\circ}\pm 5^{\circ}$  shall be 10–15 seconds.

Maximum duration above  $217^{\circ}$  shall be 50–120 seconds.

ALL Temperatures refer to topside of the package, measured on the package body surface.