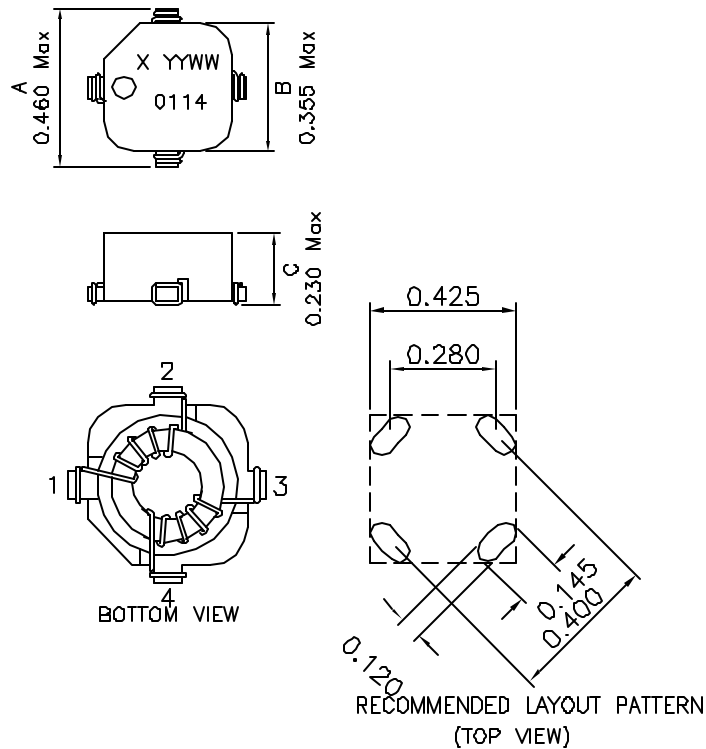


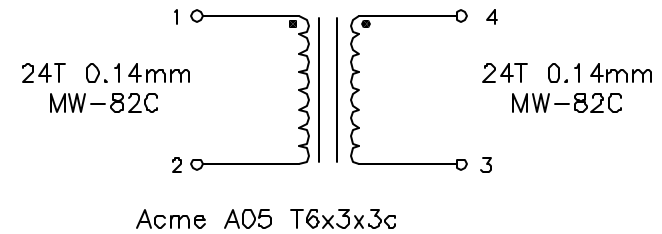
## 1. Mechanical Dimensions:



### Notes:

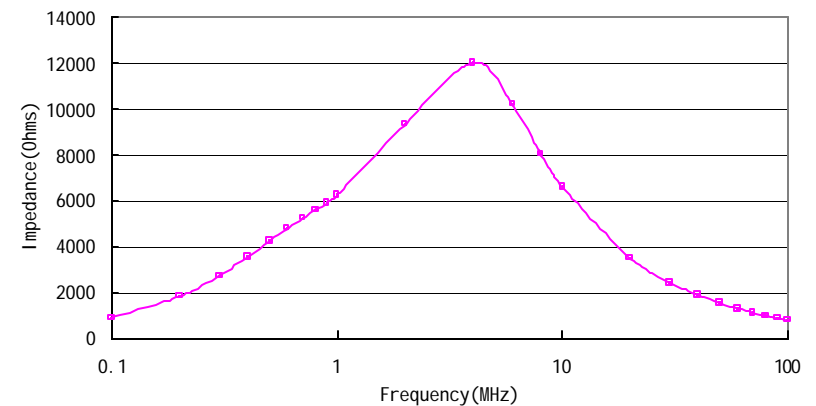
1. Solderability: Leads shall meet MIL-STD-202G, Method 208B for solderability.
2. Flammability: UL94V-0
3. ASTM oxygen index: > 28%
4. Insulation System: Class F 155°C. UL file E151556
5. All listed parameters are to be within tolerance from -40°C to +160°C unless otherwise noted.
6. Storage Temperature Range: -40°C to +160°C
7. Aqueous wash compatible
8. SMD Lead Coplanarity:  $\pm 0.004"$  (0.102mm)
9. Electrical and mechanical specifications 100% tested
10. RoHS Compliant Component
11. 260C reflow compatible

## 2. Schematic:



## 3. Electrical Specifications: @25°C

- OCL: 915uH Min @100KHz, 0.1V each, (0°C to 85°C)  
 700uH Min @100KHz, 0.1V each, (-40°C to 0°C)
- Q: Pins 1-2 20 Min @100KHz, 0.1V
- LL: Pins 1-2 6.3uH Typ @100KHz, 0.1V (short 4-3)
- Cw/w: Pins 1-4 4.9pF Typ @100KHz, 0.1V
- Current Rating: 0.670Arms
- DC Res.: 0.380 Ohms Max (each)
- Turns Ratio: Pins (1-2):(4-3)=1:1
- Isolation: 300Vdc Wdg-Wdg, 1 Second



DOC. REV: B/1

**PROPRIETARY** Document is the property of XFMRs Group & is not allowed to be duplicated without authorization.

<b>XFMRs Inc.</b> www.XFMRs.com	Title: <b>Common Mode Choke</b>		
UNLESS OTHERWISE SPECIFIED TOLERANCES: .xxx $\pm 0.010$ Dimensions in Inch	P/N: 6XF0114-CMC		REV. B
	DWN.	Mei Chen	Nov-08-10
SHEET 1 OF 1	CHK.	YK Liao	Nov-08-10
	APP.	Joe Huff	Nov-08-10