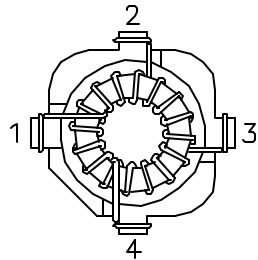
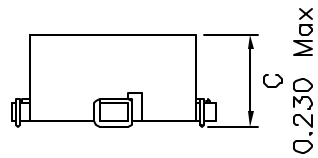
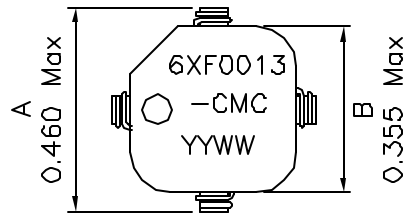
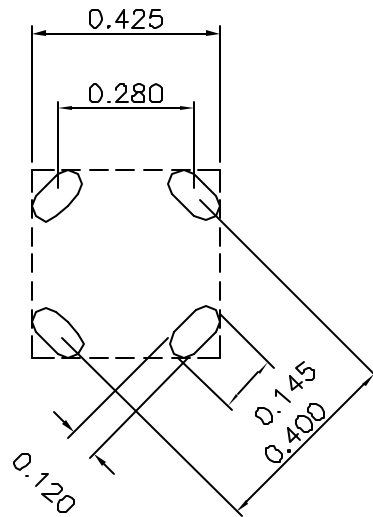


1. Dimensions:

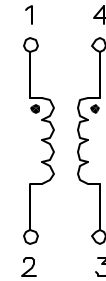


BOTTOM VIEW



RECOMMENDED LAYOUT PATTERN
(TOP VIEW)

2. Schematic:



3. Electrical Specifications: @25°C

QCL: 1mH+50-30% @10KHz, 0.1V (each)

Current Rating: 0.70Arms

DC Res.: 0.300 Ohms Max (each)

Isolation: 500Vrms Wdg-Wdg, 1 Second

LL: 6.0uH Typ @100KHz, 0.1V Short Opp. Wdg.

Notes:

1. Solderability: Leads shall meet MIL-STD-202G, Method 208H for solderability.
2. Flammability: UL94V-0
3. ASTM oxygen index: > 28%
4. Insulation System: Class F 155°C. UL file E151556
5. Operating Temperature Range: All listed parameters are to be within tolerance from -40°C to +85°C
6. Storage Temperature Range: -55°C to +125°C
7. Aqueous wash compatible
8. SMD Lead Coplanarity: ±0.004"(0.102mm)
9. Moisture Sensitivity: Level 3
10. Electrical and mechanical specifications 100% tested
11. RoHS Compliant Component

| | | |
|--|---------------------------------|---------------|
| XFMRs Inc. www.XFMRs.com | Title: Common Mode Choke | |
| | P/N: 6XF0013-CMC | REV. A |
| UNLESS OTHERWISE SPECIFIED TOLERANCES: .xxx ±0.010 Dimensions in Inch | DWN. | 李小锋 Dec-28-05 |
| | CHK. | 廖玉坤 Dec-28-05 |
| SCALE 2:1 SHT 1 OF 1 | APP. | MS Dec-28-05 |

DOC. REV: A/2