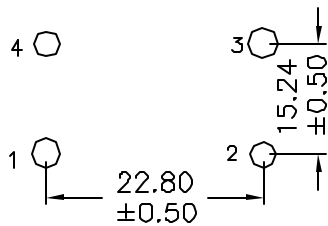
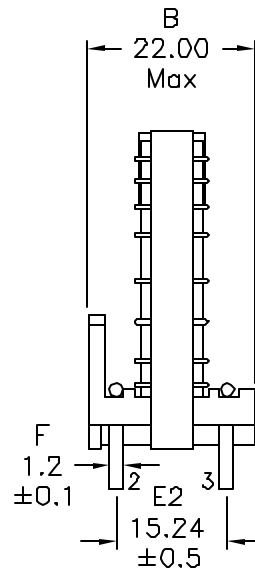
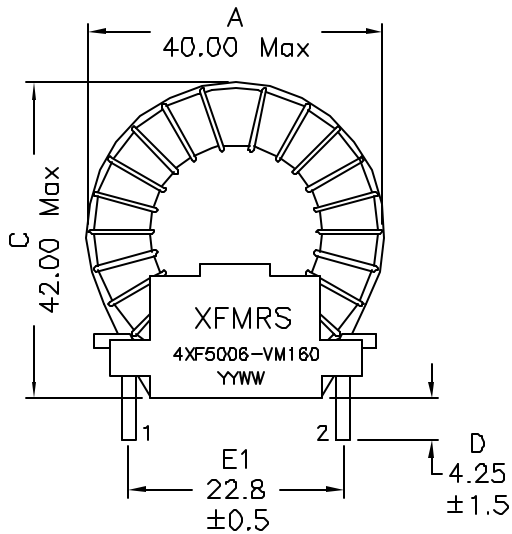


### 1. Mechanical Dimensions:



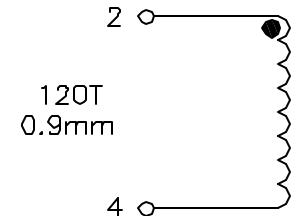
SUGGESTED FOOTPRINT  
(Top View)

**Notes:**

1. Solderability: Leads shall meet MIL-STD-202G, Method 208H for solderability.
2. Flammability: UL94V-0
3. ASTM oxygen index: > 28%
4. Insulation System: Class F 155°C, UL file E151558
5. Operating Temperature Range: All listed parameters are to be within tolerance from -40°C to +85°C
6. Storage Temperature Range: -55°C to +125°C
7. Aqueous wash compatible
8. Electrical and mechanical specifications 100% tested
9. RoHS Compliant Component

DOC. REV: A/1

### 2. Schematic:



Core: Micrometals T130-8/90

### 3. Electrical Specifications: @25°C

OCL: 500uH ± 20% @ 1KHz 0.25V, 0Adc

400uH Typ @ 1KHz 0.25V, 5Adc

DCR: 0.165 Ohms Max

Q: 20 Min @ 10KHz 0.1V

<b>XFMRS Inc</b> www.XFMRS.com		Title: TOROIDAL INDUCTOR	
UNLESS OTHERWISE SPECIFIED TOLERANCES: .xx ±0.25 Dimensions in MM	P/N: 4XF5006-VM160	REV. A	
	DWN.	Xianyi	Oct-26-09
	CHK.	YK Liao	Oct-26-09
SHEET 1 OF 1	APP.	Joe Huff	Oct-26-09