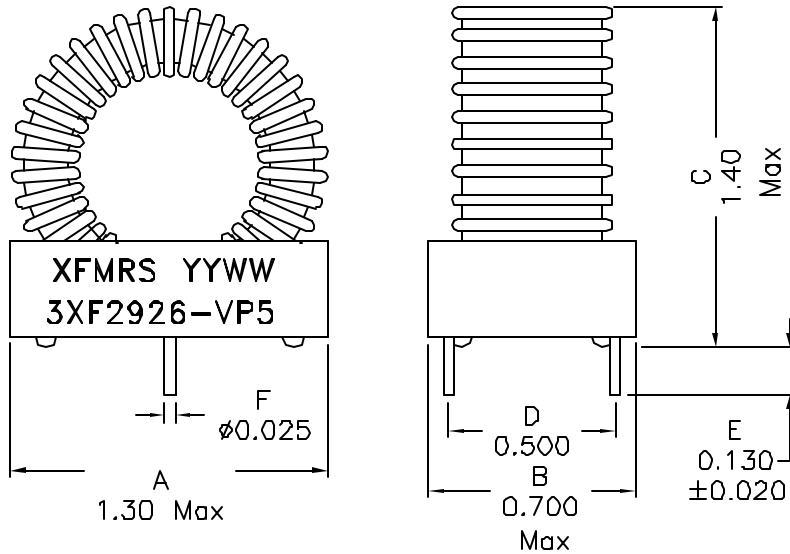
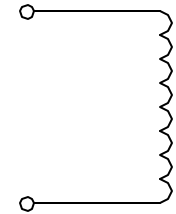


1. Mechanical Dimensions:



2. Schematic:



3. Electrical Specifications: @25°C

OCL: 330uH±15% @20KHz 20mV

OCL: 292uH Typ @20KHz 20mV 3.0A_{dc}

DC Resistance: 0.150 Ohms Maximum

Notes:

1. Solderability: Leads shall meet MIL-STD-202G, Method 208H for solderability.
2. Flammability: UL94V-0
3. ASTM oxygen Index: > 28%
4. Insulation System: Class F 155°C. UL file E151556
5. Operating Temperature Range: All listed parameters are to be within tolerance from -30°C to +130°C
6. Storage Temperature Range: -55°C to +125°C
7. Aqueous wash compatible
8. Electrical and mechanical specifications 100% tested
9. RoHS Compliant Component

DOC. REV A/3

PROPRIETARY Document is the property of XFMRS Group & is not allowed to be duplicated without authorization.

XFMRS Inc	Title: TOROIDAL INDUCTOR		
	UNLESS OTHERWISE SPECIFIED TOLERANCES: 0.010"	P/N: 3XF2926-VP5	REV A
Dimensions in INCH	DWN.	Juan Mao	Feb-15-07
	CHK.	YK Liao	Feb-15-07
SHEET 1 OF 1	APP.	Joe Huff	Feb-15-07