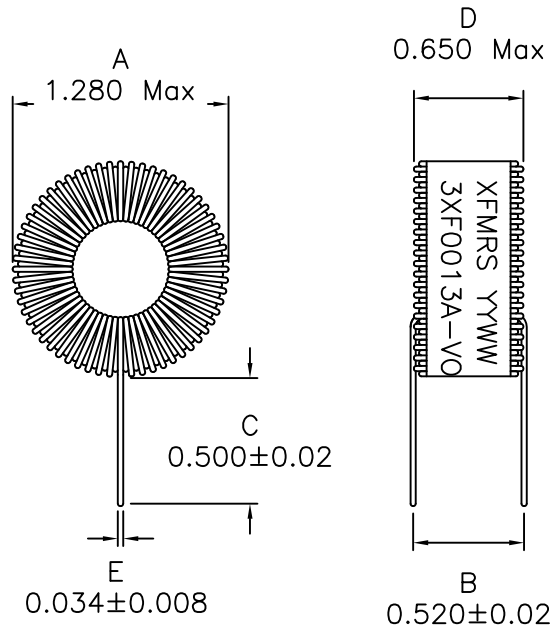
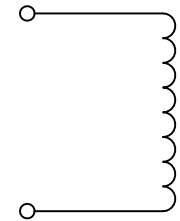


1. Mechanical Dimensions:



2. Schematic:



3. Electrical Specifications:

Inductance: 1000uH ±15% @1KHz,1.0V
 Inductance: 378.9uH ±20% @1KHz,1.0V, 3.5Adc
 Current Rating: 3.5ADC
 DC Resistance: 0.137 Ohms Max
 Q: 15 Min @1KHz,1.0V
 SRF: 200KHz Min.

Notes:

1. Solderability: Leads shall meet MIL-STD-202G, Method 208H for solderability.
2. Flammability: UL94V-0
3. ASTM oxygen index: > 28%
4. Insulation System: Class F 155°C. UL file E151556
5. Operating Temperature from -55°C to +125°C
6. Storage Temperature Range: -55°C to +125°C
7. Aqueous wash compatible
8. SMD Lead Coplanarity: ±0.004"(0.102mm)
9. Electrical and mechanical specifications 100% tested
10. RoHS Compliant Component

DOC. REV. A/2

XFMR5 Inc. www.XFMR5.com		Title: Toroid Inductor	
UNLESS OTHERWISE SPECIFIED TOLERANCES: .xx ±0.01 Dimensions in inch	P/N: 3XF0013A-VO		REV. A
	DWN.	Huo	Jun-12-17
SHEET 1 OF 1	CHK.	YK Liao	Jun-12-17
	APP.	BSJ	Jun-12-17