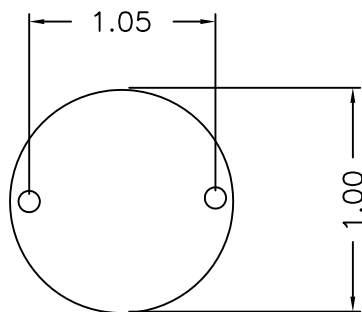
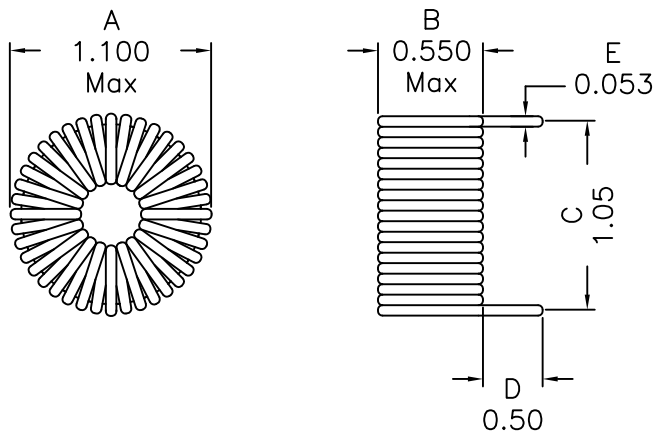
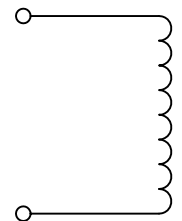


### 1. Mechanical Dimensions:



Suggested PCB Layout

### 2. Schematic:



### 3. Electrical Specifications: @25°C

Inductance: 39uH±20% @ 1KHz, 0.1V (0Adc)  
 Inductance: 18.1uH±20% @ 1KHz, 0.1V (10.8Adc)  
 Q: TBD @ 1KHz, 0.1V  
 DC Res.: 0.011 Ohms Max  
 Irms: 10.8Arms (Based on 30°C Temp Rise)

Notes:

1. Solderability: Leads shall meet MIL-STD-202G, Method 208H for solderability.
2. Flammability: UL94V-0
3. ASTM oxygen index: > 28%
4. Insulation System: Class F 155°C. UL file E151556
5. Operating Temperature Range: All listed parameters are to be within tolerance from -40°C to +85°C
6. Storage Temperature Range: -55°C to +125°C
7. Aqueous wash compatible
8. Electrical and mechanical specifications 100% tested
9. RoHS Compliant Component

DOC. REV A/-

<b>XFMRs Inc</b>	Title: TOROIDAL INDUCTOR		
	UNLESS OTHERWISE SPECIFIED	P/N: 2XF0396-HO	REV. A
TOLERANCES:	DWN.	Feng	Sep-18-12
N/A	CHK.	YK Liao	Sep-18-12
Dimensions in INCH	APP.	BSJ	Sep-18-12
SHEET 1 OF 1			