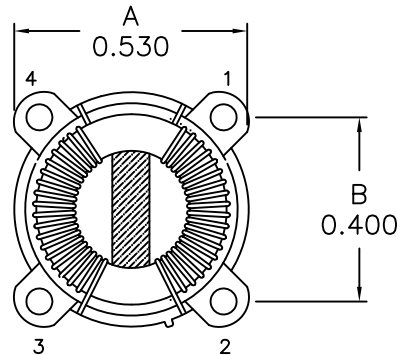
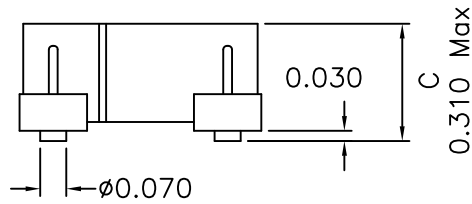
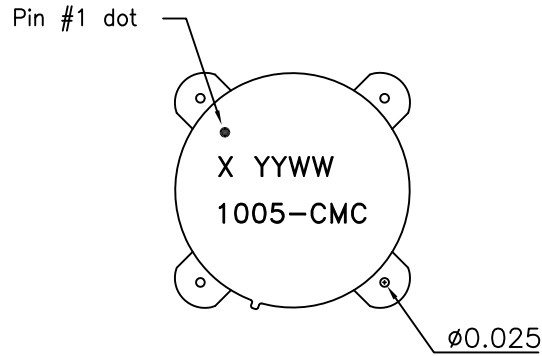


## 1. Mechanical Dimensions:



(BOTTOM VIEW)

## 2. Schematic:



## 3. Electrical Specifications: @25°C

OCL: 1000u+35%-25% @10KHz 0.1V, Each Wdg.

Q: 8 Min @10KHz 0.1V

LL: Pins 1-2 4.0uH Typ @100KHz 0.1V, Short Pins 4-3

Rated Current: 2.2Arms (40°C Temp Rise)

DCR: 0.049 Ohms Max, Each Wdg.

Isolation Voltage: 500Vrms; Wdg. to Wdg.

### Notes:

1. Solderability: Leads shall meet MIL-STD-202G, Method 208H for solderability.
2. Flammability: UL94V-0
3. ASTM oxygen index: > 28%
4. Insulation System: Class F 155°C. UL file E151556
5. All listed parameters are to be within tolerance from -40°C to +85°C unless otherwise noted.
6. Storage Temperature Range: -55°C to +125°C
7. Aqueous wash compatible
8. SMD Lead Coplanarity:  $\pm 0.004"$  (0.102mm)
9. Electrical and mechanical specifications 100% tested
10. RoHS Compliant Component

DOC. REV: A/2

<b>XFMRs Inc.</b> www.XFMRs.com	Title: <b>COMMON MODE CHOKE</b>		
	UNLESS OTHERWISE SPECIFIED	P/N: 1XF1005-CMC	REV. A
TOLERANCES: .xxx $\pm 0.010$	DWN.	Feng	May-05-16
Dimensions in Inch	CHK.	YK Liao	May-05-16
SHT 1 OF 1	APP.	GL	May-05-16

**PROPRIETARY**

Document is the property of XFMRs Group & is not allowed to be duplicated without authorization.