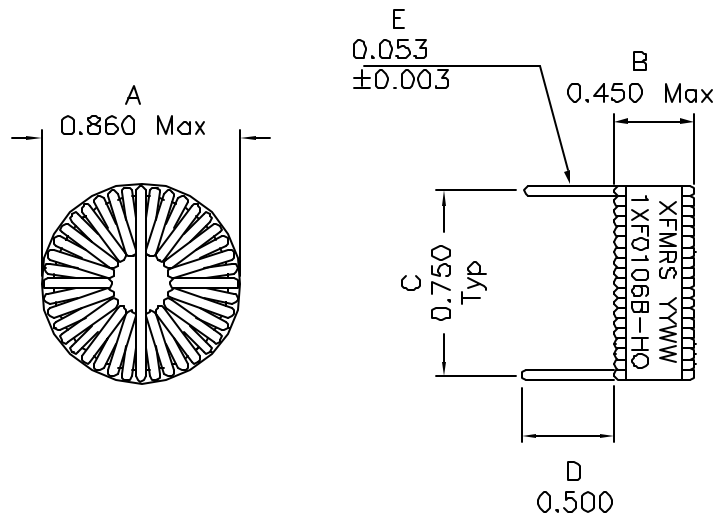
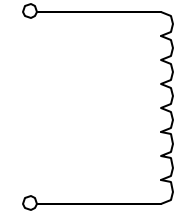


## 1. Mechanical Dimensions:



## 2. Schematic:



## 3. Electrical Specifications:

Inductance:  $10\mu\text{H} \pm 15\%$  @1KHz 0.1V, 0Adc

Inductance:  $6.3\mu\text{H} \pm 15\%$  @1KHz 0.1V, 10.8Adc

DCR: 0.006 Ohms Max

Q: tbd Min @1KHz 0.1V

### Notes:

1. Solderability: Leads shall meet MIL-STD-202G, Method 208H for solderability.
2. Flammability: UL94V-0
3. ASTM oxygen Index: > 28%
4. Insulation System: Class F 155°C. UL file E151556
5. Operating Temperature Range: All listed parameters are to be within tolerance from -55°C to +105°C
6. Storage Temperature Range: -55°C to +125°C
7. Aqueous wash compatible
8. Electrical and mechanical specifications 100% tested
9. RoHS Compliant Component

DOC REV: A/1

**PROPRIETARY** Document is the property of XFMRS Group & is not allowed to be duplicated without authorization.

<b>XFMRS Inc.</b> www.XFMRS.com	Title: <b>INDUCTOR</b>		
UNLESS OTHERWISE SPECIFIED TOLERANCES: .xxx ±0.010 Dimensions in Inch	P/N: 1XF0106B-HO	REV. A	
	DWN.	Xianyí	Jun-09-08
	CHK.	YK Liao	Jun-09-08
SHEET 1 OF 1	APP.	Joe Huff	Jun-09-08