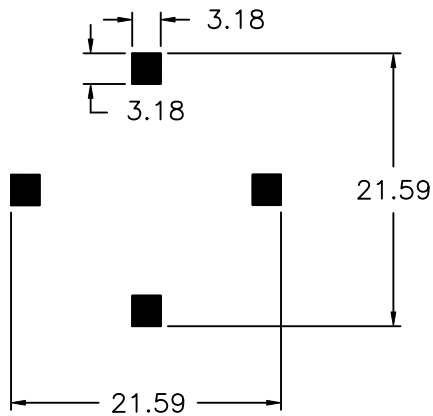
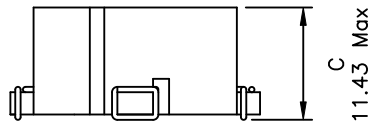
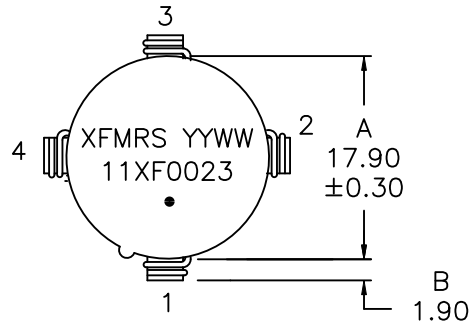
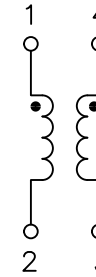


1. Mechanical Dimensions:



RECOMMENDED LAYOUT PATTERN
(TOP VIEW)

2. Schematic:



3. Electrical Specifications: @25°C

OCL: 2.0mH Min @1KHz 0.1V, Each Wdg

Q: 10 Min @1KHz 0.1V, Each Wdg

LL: Pins 1-2 0.3uH Typ @100KHz 0.1V (short 4-3)

DCR: 30.0mOhms Max, Each Wdg

Irms: 3.5Adc (OCL 35°C Typ Temp Rise)

Freq. Range: 300KHz - 20MHz @20dB Attenuation

Hipot: 500Vac, Wdgs to Wdgs

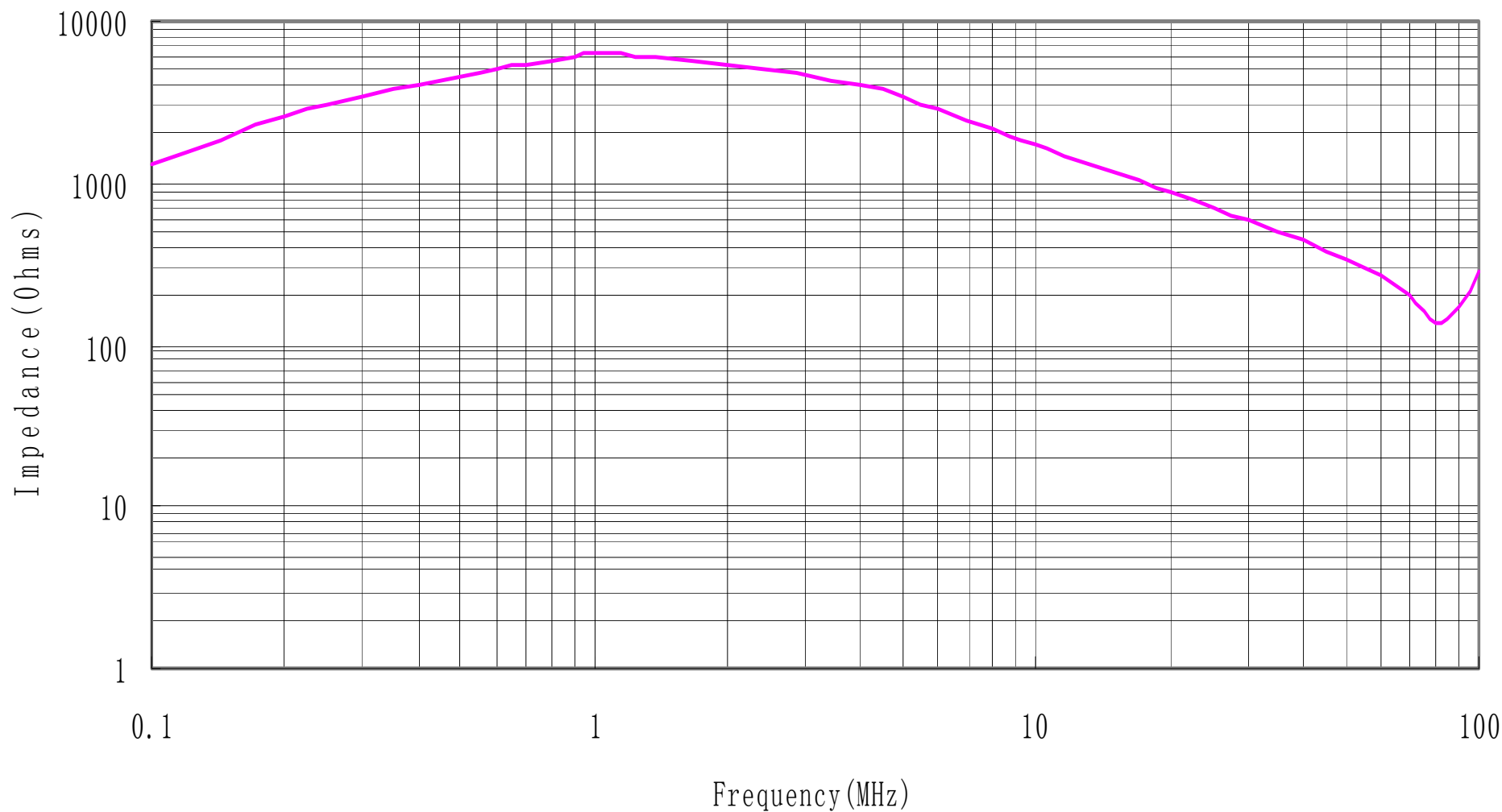
SRF: Pins 1-2 500KHz Min

Notes:

- Solderability: Leads shall meet MIL-STD-202G, Method 208H for solderability.
- Flammability: UL94V-0
- ASTM oxygen index: > 28%
- Insulation System: Class F 155°C. UL file E151556
- Operating Temperature: -55°C to +125°C
- Storage Temperature Range: -55°C to +125°C
- Aqueous wash compatible
- SMD Lead Coplanarity: ±0.004"(0.102mm)
- Electrical and mechanical specifications 100% tested
- RoHS Compliant Component
- Recommended IR Reflow peak temp of 250°C Max.

XFMRS® www.XFMRS.com UNLESS OTHERWISE SPECIFIED TOLERANCES: .xx ±0.25 Dimensions in mm SHEET 1 OF 2	Title: Common Mode Choke		
	P/N: 11XF0023-CMC		REV. A
	DWN.	Yu	May-10-21
	CHK.	YK Liao	May-10-21
	APP.	BW	May-10-21

DOC REV: A/3



DOC REV: A/2

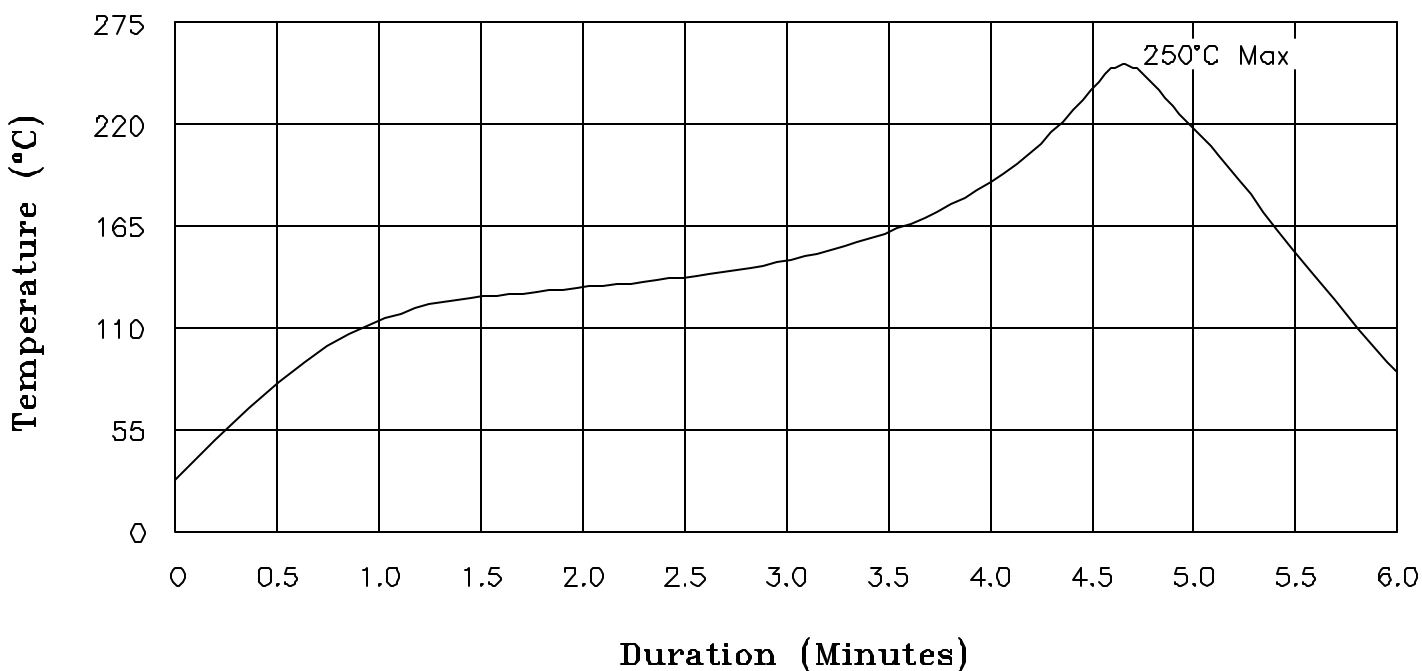
XFMRs Inc www.XFMRs.com	Title: Common Mode Choke		
	UNLESS OTHERWISE SPECIFIED TOLERANCES: .xxx ±0.25 Dimensions in mm		P/N: 11XF0023-CMC REV. A
SHEET 2 OF 2	DWN.	Xiang	Feb-05-19
	CHK.	YK Liao	Feb-05-19
	APP.	BW	Feb-05-19

PROPRIETARY

Document is the property of XFMRs Group & is not allowed to be duplicated without authorization.

XFMRs

Recommended Infrared Reflow Temperature Profile for Select Parts



NOTES: Maximum duration at 250°+0/-5° shall be 10-15 seconds.
 Maximum duration above 217° shall be 50-120 seconds.
 ALL Temperatures refer to topside of the package, measured on the package body surface.

XFMRs Inc www.XFMRs.com	Title: IR REFLOW CHART (250°C)			
	UNLESS OTHERWISE SPECIFIED TOLERANCES: N/A		P/N: N/A	REV. A
	DWN.	Juan Mao	Dec-20-06	
	CHK.	YK Liao	Dec-20-06	
SHEET 1 OF 1	APP.	Joe Huff	Dec-20-06	