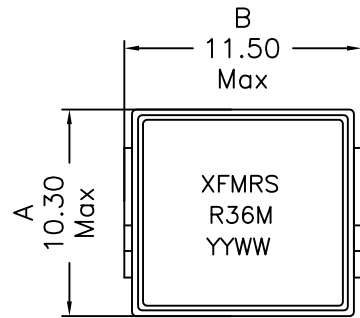
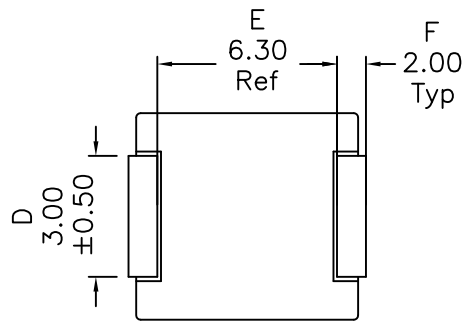
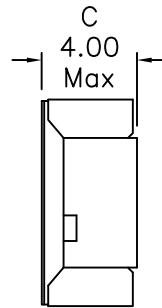


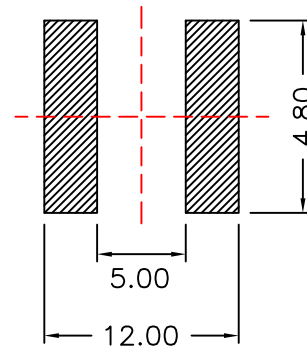
1. Mechanical Dimensions:



(TOP VIEW)

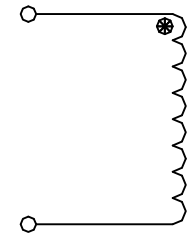


(BOTTOM VIEW)



(Land Patterns)

2. Schematic:



3. Electrical Specifications: @25°C

OCL: 0.36uH±20% @100KHz, 0.25V

Q: 8.0 Min @100KHz, 0.25V

DCR: 1.20 mOhms Max

Isat: 50.0A (Based on 30% Typ drop in OCL)

Irms: 32.0A (Based on 40°C Typ Temp Rise)

SRF: tbd Min

Notes:

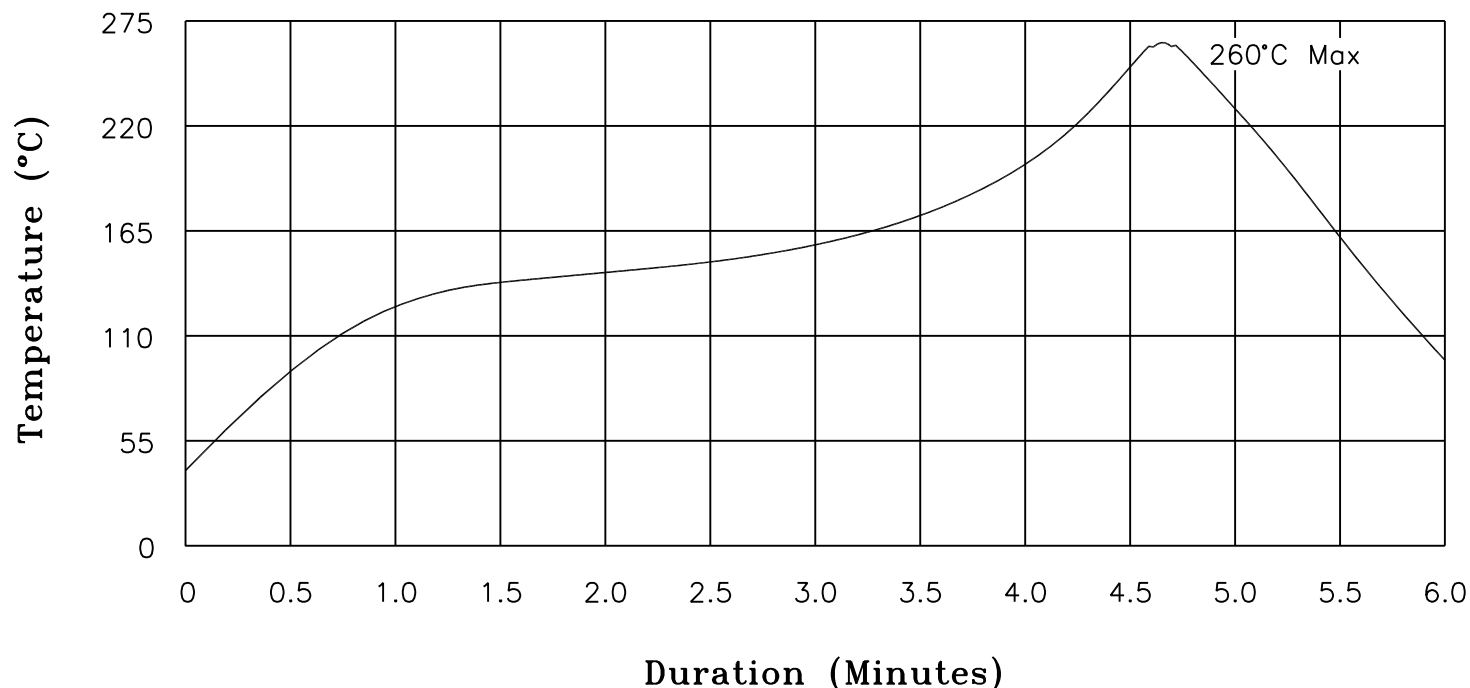
1. Solderability: Leads shall meet MIL-STD-202G, Method 208H for solderability.
2. Flammability: UL94V-0
3. ASTM oxygen index: > 28%
4. Insulation System: Class F 155°C. UL file E151556
5. Operating Temperature: -55°C to +125°C
6. Storage Temperature Range: -55°C to +125°C
7. Aqueous wash compatible
8. SMD Lead Coplanarity: 0.004"(0.102mm) Max
9. Electrical and mechanical specifications 100% tested
10. RoHS Compliant Component
11. Outsourced item processed & controlled under XFMRS QA system
12. Recommended IR Reflow peak temp of 260°C Max.

DOC. REV: A/4

XFMRS Inc www.XFMRS.com		Title: XFHCL11 SERIES INDUCTORS	
UNLESS OTHERWISE SPECIFIED		P/N: XFHCL11-R36M	REV. A
TOLERANCES: .xx ±0.25 Dimensions in MM		DWN.	Huo
		CHK.	YK Liao
SHEET 1 OF 1		APP.	BW
			Sep-12-18
			Sep-12-18
			Sep-12-18

XFMRs

Recommended Infrared Reflow Temperature Profile for RoHS Compliant Parts

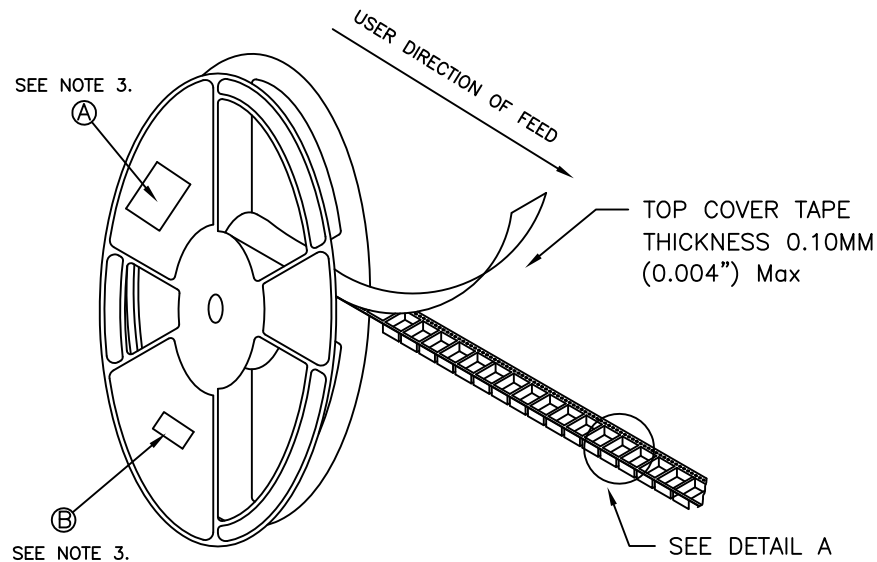


NOTES: Maximum duration at 260°+0/-5° with 10 seconds Max.
 Maximum duration above 217° shall be 60-150 seconds.
 ALL Temperatures refer to topside of the package, measured on the package body surface.

XFMRs Inc www.XFMRs.com	Title: IR REFLOW CHART (RoHS Compliant parts)			
	UNLESS OTHERWISE SPECIFIED TOLERANCES: N/A	P/N: N/A	REV. A	
	DWN.	Juan Mao	Jan-16-05	
	CHK.	YK Liao	Jan-16-05	
SHEET 1 OF 1	APP.	MS	Jan-16-05	

PROPRIETARY Document is the property of XFMRs Group & is not allowed to be duplicated without authorization.

TAPE AND REEL SPECIFICATION:



REEL AND TAPE ORIENTATION

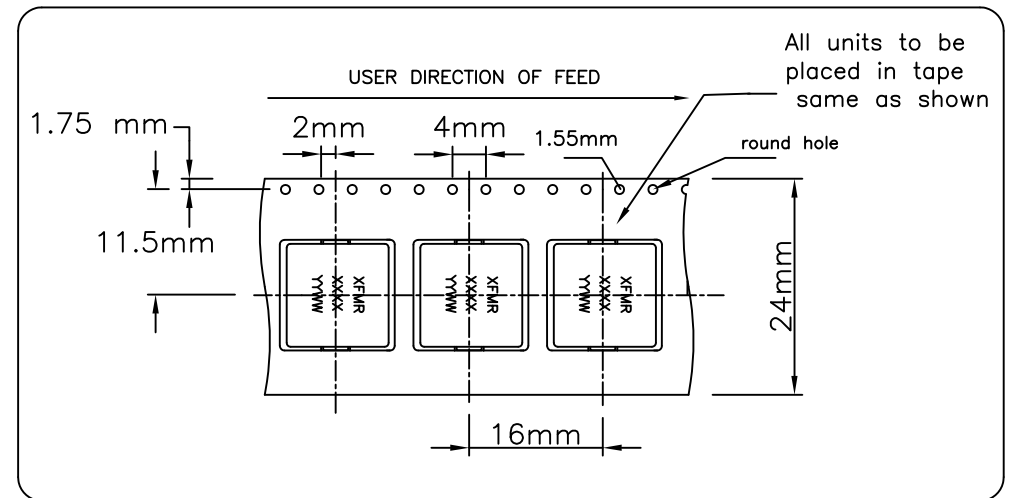
13" REEL DIAMETER

FOR ALL XFHCL11-XXXX SERIES

NOTES:

- 1) PROCESS IN ACCORDANCE WITH EIA-481-2 STANDARDS
 - * TAPE LEADER DIMENSION 15.30" MIN.
 - * TAPE TRAILER DIMENSION 6.30" MIN.
- 2) PARTS SHOULD BE PACKAGED IN ACCORDANCE WITH ESD GUIDELINES IN EIA-541.
- 3) REEL LABEL: 'A' * PART NUMBER
 - * QUANTITY
 - * DATE CODE
- 4) 500PCS PER 13" REEL

DETAIL A



DOC. REV. A/2

XFMR5 Inc	Title: T&R SPEC		
	UNLESS OTHERWISE SPECIFIED		P/N: XFHCL11 series
TOLERANCES: .xxs ±xxxxx	Dimensions in mm		REV: A
	SHT 1 OF 1	DWN. Kong	Oct-31-17
	CHK. YK Liao	Oct-31-17	
	APP. GL	Oct-31-17	

PROPRIETARY

Document is the property of XFMR5 Group & is not allowed to be duplicated without authorization.