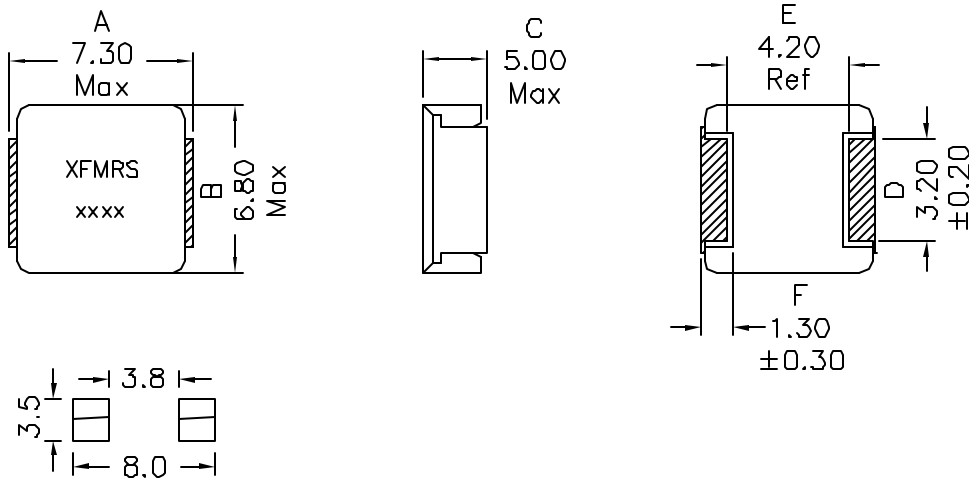
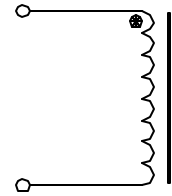


XFHCL6MC SERIES INDUCTORS

Mechanical Dimensions:



Schematic:



UNLESS OTHERWISE SPECIFIED
TOLERANCES:
.xx ±0.30
Dimensions in MM

Typical Pad Layout (Min)

Part Number	Inductance ¹ ±20% (uH)	DCR (mOhms Typ)	RDC ² (mOhms Max)	ISAT ⁴ (A Max)	IRMS ⁵ (A Max)
XFHCL6MC-R56M	0.56	3.4	3.6	12.0	20.0
XFHCL6MC-R68M	0.68	4.2	4.5	11.5	18.0
XFHCL6MC-R82M	0.82	4.6	4.9	13.0	16.5
XFHCL6MC-1R0M	1.0	5.6	6.5	15.0	13.0
XFHCL6MC-1R5M	1.5	8.6	9.0	12.0	12.0
XFHCL6MC-2R2M	2.2	13.0	13.6	10.0	10.0
XFHCL6MC-3R3M	3.3	19.9	20.9	8.0	8.0
XFHCL6MC-4R7M	4.7	28.9	30.3	7.0	6.5
XFHCL6MC-5R6M	5.6	32.7	34.4	7.0	6.0
XFHCL6MC-6R8M	6.8	42.5	44.6	5.5	5.5
XFHCL6MC-8R2M	8.2	48.3	50.7	5.0	5.0
XFHCL6MC-100M	10.0	67.9	71.3	4.5	4.5

1. Measurement frequency of Inductance value: at 100KHz
2. Measurement ambient temperature of L,DCR and IDC: at 25°C
3. Operating Temp.: -55°C to +125°C
4. Isat: DC current at which the inductance drops 20(typ) from its value without current
5. Irms: Average current for 40°C temperature rise from 25°C ambient(typical)